



RB-DV - TRB-DV

The Vacuum Blowers



ROBUSCHI®
PUMPS AND BLOWERS

RB-DV series of rotary three lobe PD blowers can operate at high vacuum levels thanks to a **ROBUSCHI patented device that injects atmospheric air**.

The new patented device allows the blower to operate at maximum vacuum without overheating.

RB-DV series blowers can reach vacuum levels of up to **93% on a dead head - 28" Hg** without the need to water inject or uses an upstream heat exchanger. Consequently lowering installation and operating costs.

Main blowers features are:

- **Vacuum rate up to 93% (blank off) - 28" Hg and 90% -27" Hg continuous;**
- **Nominal capacity from 840 to 10.500 m³/h - from 494 CFM to 6200 CFM;**
- Gases and vapours can be handled;
- Lack of sliding parts, reduces wear;
- Safe operation environmentally friendly;
- No oil mist;
- **Available RB-DV in ATEX version on request.**



APPLICATIONS

RB-DV series blowers are selected by applications requiring **vacuum levels greater than 50% or 15" Hg** (for applications requiring vacuum 0-50% / 0-15" Hg see ROBUSCHI RBS P.D. Blowers).

RB-DV series blowers are used in the following applications:

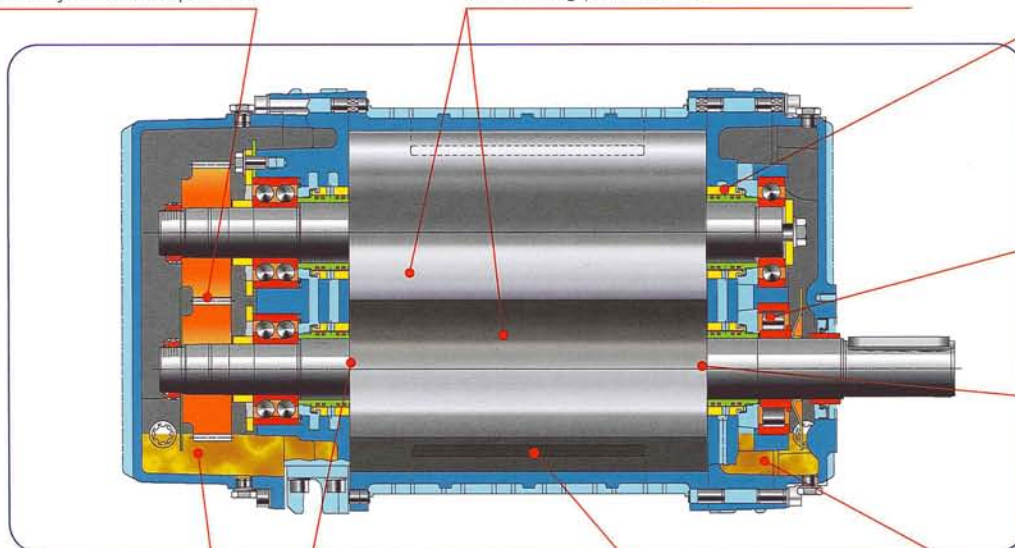
- Vacuum trucks handling wet and/or dry waste (Industry, Municipalities etc...);
- Pneumatic conveying (Ash transport, Chemicals, Pharmaceuticals industry etc...);
- Central vacuum systems (Packaging, Vacuum cleaning etc...);
- Deaeration plants (Plastic extrusion, Brick production, etc...).

Available complete and compact groups for truck applications (TRB-DV).

Helical gears provide near noiseless smooth and synchronized operation.

Heavy duty rotor and shaft assemblies safely allows operation at higher rpms providing outstanding performance.

Labyrinth piston ring provides low wear.



Heavy duty bearing for belt or gear transmission.

Heavy duty bearings allow greater flexibility setting up belt or close coupled transmission.

Double ended oil bath lubrication ensures long bearing life.

Patent tri (3) lobe rotors with ROBUSCHI high performance profile (**Low Pulse**).

Patent air injection nozzle ensures cool operation under all vacuum conditions.

Double ended oil bath lubrication ensures long bearing life.

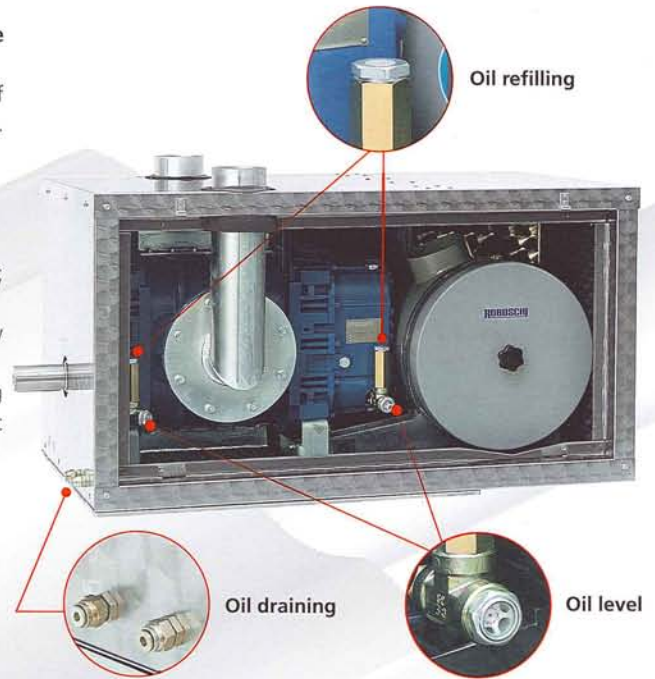
TRB-DV are completely assembled compact group sets with noise enclosure developed for vacuum truck handling wet and /or dry waste.

It is possible to install this group with up to 5° degree tilt. Power take off connection can be made by either hydraulic motor and or V- belt transmission.

TRB-DV group main features are:

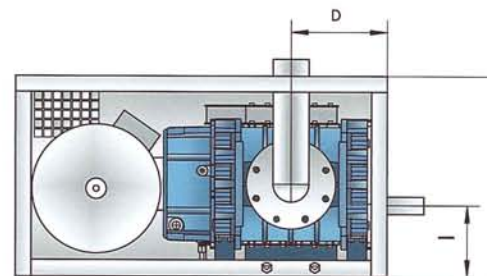
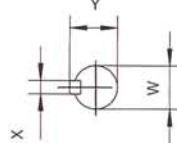
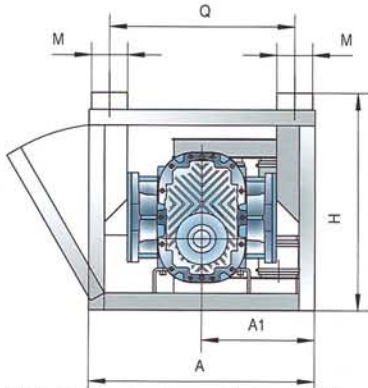
- No oil mist from the blower discharged into the environment;
- No water cooling required;
- Compact design allows flexibility positioning on truck and takes up less space;
- Easy installation;
- Simple maintenance thanks to front mounted site glasses giving clear view of oil level and easy access to draining and refilling lubricant;
- Options available: left side opening door and counter clock wise; right side opening door and counter clock wise; left side opening door and counter clock wise; right side opening door and counter clock wise;
- Stainless steel noise enclosure available on request.

TRB-DV can replace liquid ring vacuum pumps and vane vacuum pumps.



TRB-DV - OVERALL DIMENSIONS

Left side opening door enclosure.

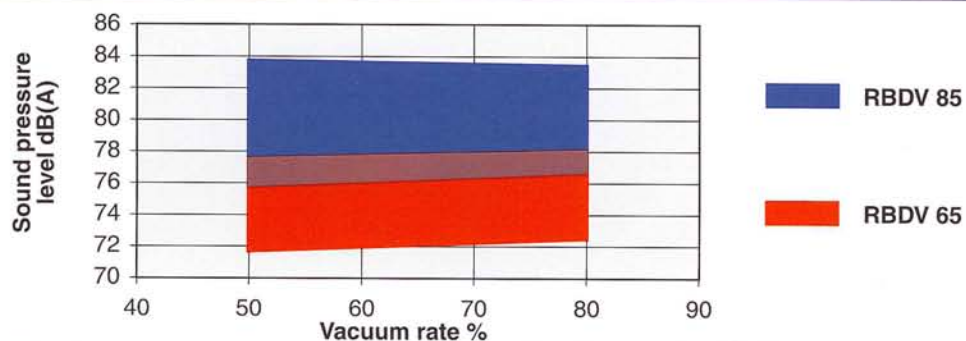


Blower	A	B	C	A1	D	H	L	M	Q	W	Z	X	Y	Weight lbs
65 inches	25,98	42,91	22,05	12,99	9,84	24,02	47,24	4	20,87	1,89	4,33	0,55	2,03	705,48
85 inches	28,35	46,85	25,59	14,17	12,20	27,56	51,18	4	23,23	2,17	4,33	0,63	2,32	959,01

Right side opening door enclosure available too.



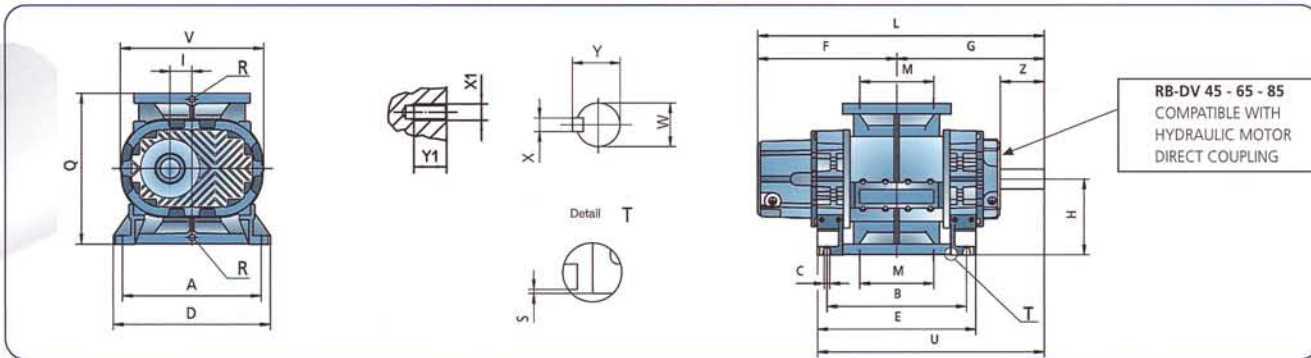
TRB-DV: NOISE LEVEL ISO 3746 *



* Free field 22,967'

OVERALL DIMENSIONS

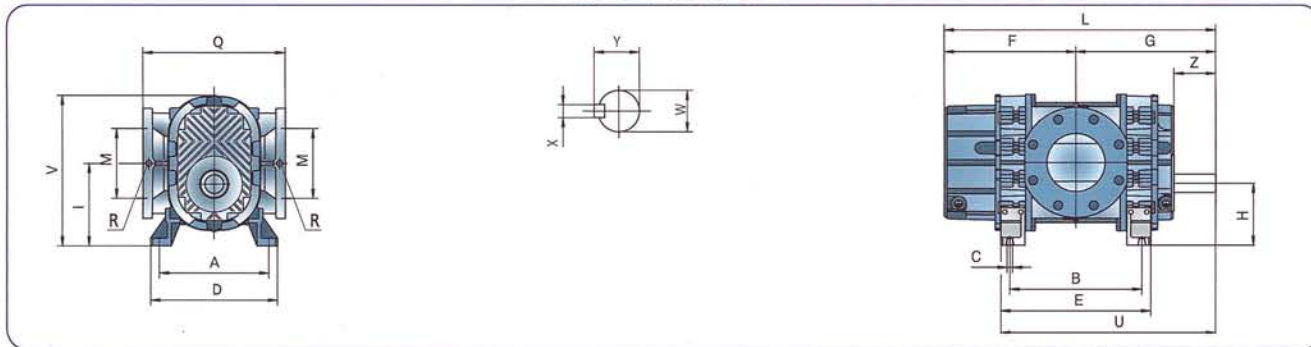
RB-DV ... / V



Blower	Ø*	A	B	C	D	E	F	G	H inches -0,02	I	L	M	Q	S	U	V	W	Z	X	Y	R1	X1	Y1	Weight lbs	
45	inches	3,34	11,61	10,83	0,47	13,03	12,24	10,75	11,61	6,30	1,67	22,36	3	12,56	0,04	17,80	11,61	1,496	3,150	0,394	1,614	1,969	4xM8	0,591	213,8
65	inches	4,22	13,39	13,43	0,55	15,16	15,24	13,39	14,21	7,28	2,11	27,60	6	14,53	0,04	21,85	14,14	1,967	4,508	0,574	2,111	2,461	4xM10	0,591	352,7
85	inches	5,32	14,57	16,97	0,71	16,54	18,98	15,94	16,65	8,86	2,66	32,60	6	17,68	0,04	26,18	17,01	2,254	4,508	0,656	2,418	2,756	4xM10	0,591	551,2
105	inches	6,62	16,93	19,72	0,71	19,13	21,93	18,23	18,19	10,43	3,31	36,42	8	20,83	0,04	29,17	21,39	2,459	4,508	0,738	2,623				881,8
125	inches	8,34	21,65	23,23	0,87	25,20	25,43	20,79	22,36	11,81	4,17	43,15	10	23,58	0,04	35,08	25,33	2,869	5,738	0,82	3,053				1334
145	inches	10,62	26,77	29,41	1,02	30,31	31,69	25,24	60,00	14,17	5,31	52,60	12	28,31	0,04	43,23	32,38	3,484	6,967	0,90	3,69				2293

*= Gear diameter

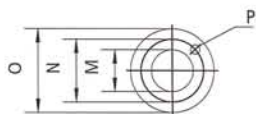
RB-DV ... / H



Blower	Ø*	A	B	C	D	E	F	G	H inches -0,02	I	L	M	Q	S	U	V	W	Z	X	Y	R1	X1	Y1	Weight lbs	
45	inches	13,78	10,47	10,83	0,47	11,89	12,24	10,75	11,61	5,20	6,89	22,36	6	12,52		17,80	12,60	1,496	3,15	0,394	1,614	1,969	4xM8	0,591	213,8
65	inches	4,22	11,14	13,43	0,55	12,91	15,24	13,39	14,21	6,30	8,39	27,60	6	14,49		21,85	15,16	1,89	4,331	0,551	2,028	2,461	4xM10	0,591	352,7
85	inches	19,44	12,80	16,97	0,71	14,76	18,98	15,94	16,65	7,09	9,72	32,60	6	17,64		26,18	17,91	2,165	4,331	0,63	2,323	2,756	4xM10	0,591	551,2
105	inches	22,36	15,43	19,72	0,71	17,64	21,93	18,23	18,19	7,87	11,18	36,42	8	20,79		29,17	21,46	2,362	5,512	0,709	2,52				881,8
125	inches	28,04	17,13	23,232	0,87	20,71	25,43	20,79	22,36	9,84	14,02	43,15	10	23,54		35,08	26,38	2,756	5,512	0,787	2,933				1334
145	inches	32,68	22,44	29,41	1,02	25,20	31,69	25,24	27,36	11,02	16,34	52,60	12	28,27		43,23	32,09	3,346	6,693	0,866	3,543				2293

*= Gear diameter

Drilling for flat flanges UNI 2236 NP10 or ANSI 125 FF



R Manometer connection G 3/8*
Dimension W with tolerance m6

PN10 UNI 2236

M DN	N	O	P	HOLES
80 inches	6,30	7,87	0,71	4
150 inches	9,46	11,22	0,91	8
200 inches	11,65	13,39	0,91	8
250 inches	13,78	15,94	0,94	12
300 inches	15,75	18,70	0,94	12

ANSI 125 FF

M DN	N	O	P	HOLES
3 inches	6,00	7,87	0,71	4
6 inches	9,46	11,22	0,91	8
8 inches	11,65	13,39	0,91	8
10 inches	14,25	15,94	0,94	12
12 inches	17,00	18,70	0,94	12

ACCESSORIES

SPS



Exhaust silencer

SPF



Cooling silencer

SCE / SDL



Absorption silencer

VALVE



4 way valve
(For RB-DV 45-65-85 only)

MANIFOLDS



Third inlet manifolds
conveying cooling air

ROBOX DV EVOLUTION

ROBOX evolution suction group
with RB-DV air injection vacuum
blower:

- Silent operation;
- Simple inspection;
- Monitored operation;
- Compact construction.



ROBUSCHI®

U S A Inc.

3801 Beam Road, Suite F - Charlotte, NC 28217
Tel: 704-424 1018 - Fax: 704-424 1019 - Toll free: 877-424-1020
E-mail: sales@roboschiusa.com - www.roboschiusa.com

S24-2007 - D USA

It is the policy of Robuschi to always improve its products and the right is reserved to alter specifications at any time without prior notice.